

AUGERMATE™

Takes the strain out of positioning augers

**Quality agricultural products
Designed and made in Australia**

**No more lifting, no more strain
Suits various auger sizes**

The AUGERMATE™ jockey wheel is a simple and affordable device for taking the strain out of manoeuvring augers into position around the farm.

Bosmac manufactures the AUGERMATE™ to complement its range of high quality reliable Australian-made augers.

Features

- Eliminates the need to lift augers into position
- Safe operation and easy to use
- Suitable for various auger sizes
- Affordably priced
- Low maintenance powder coated steel
- Designed and made for local conditions



Call Bosmac today! 1800 096 673

Contact our friendly staff to request a demonstration.

About Bosmac

Bosmac is a family-owned business based in Parkes, NSW, in the heart of the grain belt.

Since 1981, Bosmac has been designing, engineering and manufacturing quality products for Australian conditions.

Bosmac is proud of its reputation for providing quality, reliable products at competitive prices along with personalised service.



Products

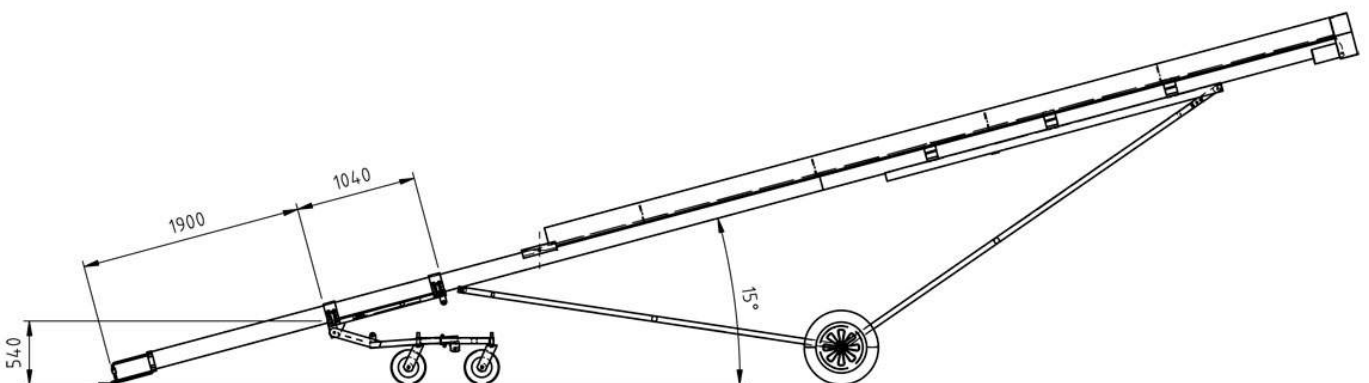
Bosmac manufactures a range of products for the agricultural sector.

- Fixed and mobile grain augers
- Pencil augers
- Hydraulic augers
- Grain roller mills
- Stock feed systems (roller mill and auger systems)
- Hoppers

Auger Sizes Compatible with AUGERMATE

AUGERMATE is designed for use with the following standard auger sizes.

7 inch (180mm approx)	8 inch (200mm approx)	9 inch (230mm approx)	10 inch (254mm)
-----------------------	-----------------------	-----------------------	-----------------



Bosmac Pty Ltd
ACN 002 109 524
64 Station Street
Parkes NSW 2870
Australia

Phone: +61 (2) 6862 3699
Toll Free: 1800 096 673
Web: bosmac.com.au
Email: sales@bosmac.com.au